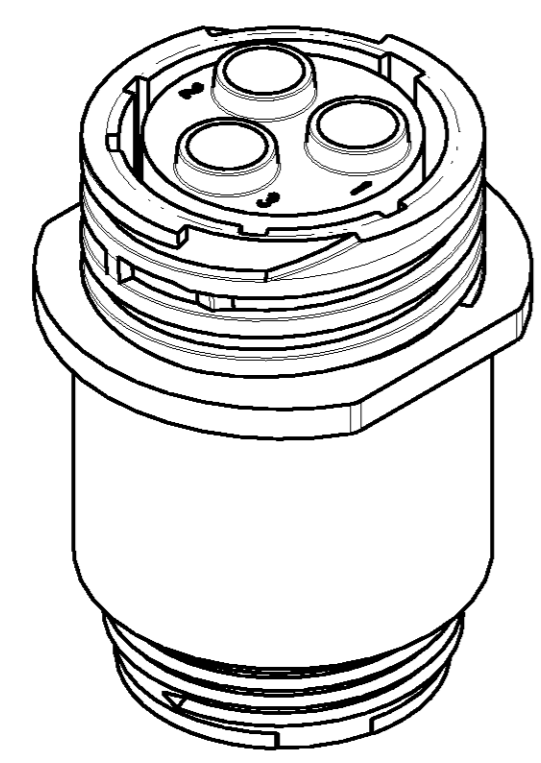
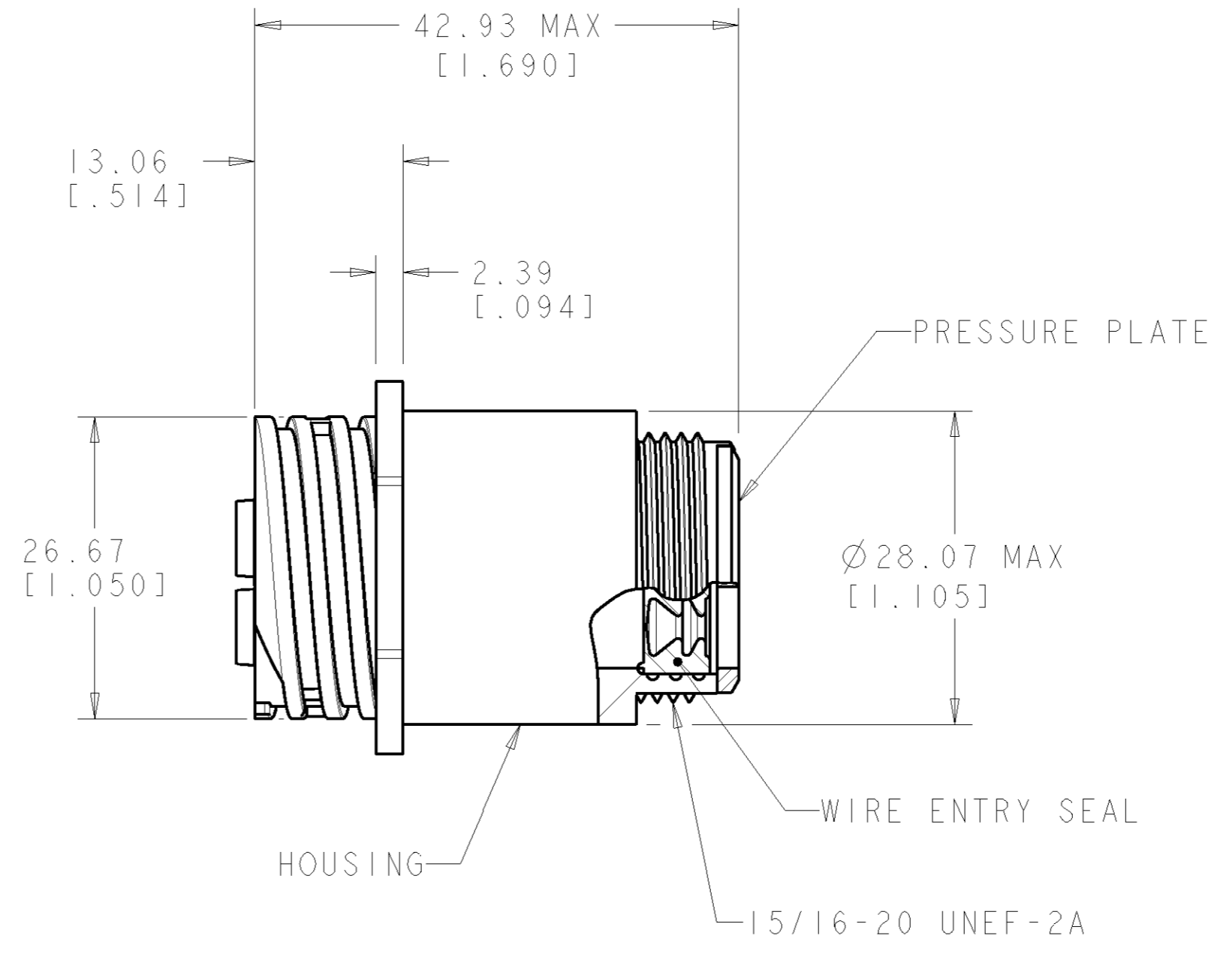
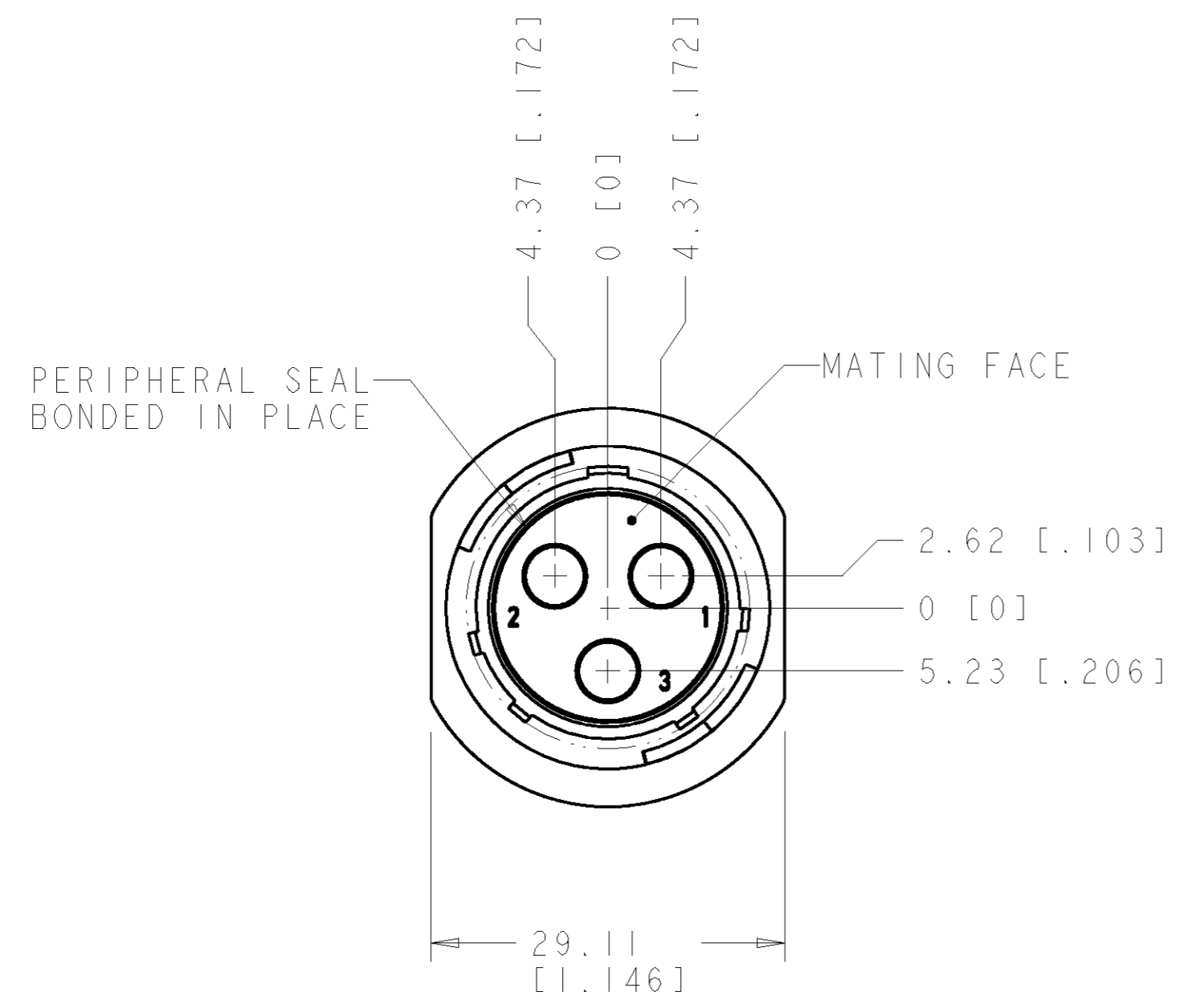


THIS DRAWING IS UNPUBLISHED. RELEASED FOR PUBLICATION
 © COPYRIGHT 19 BY AMP INCORPORATED. ALL RIGHTS RESERVED.

LOC		DIST		REVISIONS			
P	LTR	DESCRIPTION	DATE	DWN	APVD		
	O	PRELIMINARY	08FEB2000	SW	KD		
	A	REVISED EC 0G3B-0109-00	02MAR2000	SW	KD		



△ HOUSING & PRESSURE PLATE: NYLON, BLACK.
 WIRE ENTRY SEAL: ELASTOMER, RED-IRON OXIDE.
 PERIPHERAL SEAL: POLYESTER, BLACK.
 2. WILL ACCEPT (3) POWER BAND PIN CONTACTS.

3.81-6.73 [.150-.265]	796112-2
2.41-5.21 [.095-.205]	796112-1
INSULATION RANGE	PART NUMBER

<small>THIS DRAWING IS A CONTROLLED DOCUMENT FOR AMP INCORPORATED. IT IS SUBJECT TO CHANGE AND THE CONTROLLING ENGINEERING ORGANIZATION SHOULD BE CONTACTED FOR THE LATEST REVISION.</small>		DWN S. WELDON 07FEB2000 CHK K. DOWHOWER 07FEB2000 APVD K. DOWHOWER 07FEB2000	AMP AMP Incorporated Harrisburg, PA 17105-3608
DIMENSIONS: mm [INCHES]	TOLERANCES UNLESS OTHERWISE SPECIFIED: 0 PLC ± 1 PLC ± 2 PLC ±0.02 3 PLC ± 4 PLC ± ANGLES ± FINISH -	PRODUCT SPEC 108-1579 APPLICATION SPEC - WEIGHT -	NAME RECEPTACLE ASSY, SERIES 5, REVERSE SEX, SIZE 17-3, CIRCULAR PLASTIC CONNECTOR SIZE A2 CAGE CODE 00779 DRAWING NO. 796112 RESTRICTED TO -
MATERIAL -		CUSTOMER DRAWING SCALE 2:1 SHEET 1 OF 1 REV A	